

# FITTING INSTRUCTIONS



Ford PX Ranger/Mazda BT-50 – T4M577 CAB CHASSIS

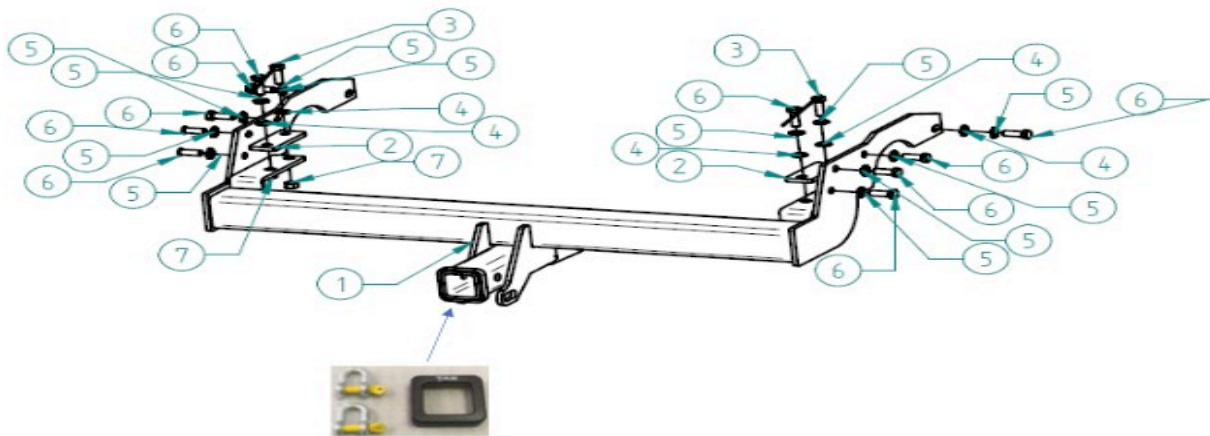
<b>Max Towing Capacity:</b> 3500kg	<b>Towbar Weight:</b> kg
<b>Max Ball Load:</b> 350kg	<b>Wiring Harness Part #:</b> REFER WWW.SWD.COM



### Tools Required:

- Spanners, Sockets, Torque Wrench

Kit Contents					
Item No.	Description	Qty	Item No.	Description	Qty
1.	Towbar	1		M12 x 35 x 1.75 Bolt	10
2.	Top plate	2		M12 x 1.75 Nut	6
3.	M12 x 35 x 1.75 Bolt and wire	2		Compliance Label	1
4.	M12 Washer	6			
5.	M12 Shakeproof Washer	12			



### Warning:

- This product is for towing purposes only and must only be loaded as shown in your vehicle Owners Manual.
- This towbar is NOT to be drilled, cut, welded or modified in any way.
- Check behind chassis rail and body panels before drilling to ensure no hazards are present

### General:

- Before fitting this towbar read fitting instructions and check installation hardware is correct.
- Check that the towbar is suitable for the vehicle and be wary of any changes to the vehicle design that may conflict with the fitting of this towbar.
- After drilling, blow any filings clear, remove any swarf and treat exposed metal with a rust inhibitor.
- If this vehicle requires a bumper cut out, please check to make sure that you measure twice and check twice before cutting any panels as some bumper profiles can change. If you are not sure, then please ask your towbar supplier

# FITTING INSTRUCTIONS



Ford PX Ranger/Mazda BT-50 – T4M577 CAB CHASSIS

<b>Step 1    Remove Rear Step (If Equipped)</b>		
<b>Instructions</b>	<b>Tools</b>	<b>Torque Spec</b>
a. Remove rear step if fitted to vehicle.	Spanners	N/A

<b>Step 2    Towbar Fitment</b>		
<b>Instructions</b>	<b>Tools</b>	<b>Torque Spec</b>
a. Fit towbar to vehicle with M12 x 1.5 Bolts and washers to inside of chassis rail. b. Fit M12 x 1.5 bolts (one on wire) with top plates into chassis rail with nuts and washers. c. IF vehicle has a step then spread out brackets and refit to outside of towbar using 12mm x 1.5 bolts.	Spanners Sockets	

<b>Step 3    Finishing up</b>		
<b>Instructions</b>	<b>Tools</b>	<b>Torque Spec</b>
a. Tighten all bolts to torque specifications. b. Fit ball mount with pin and clip supplied. c. Fit sticker to driver door pillar.	Torque Wrench	M12-773Nm

# FITTING INSTRUCTIONS



Ford PX Ranger/Mazda BT-50 – T4M577 CAB CHASSIS



# WARRANTY STATEMENT

The manufacturer of TAG branded products, warrants your TAG Towbar for its full product life under the following conditions:

- You can show proof of purchase.
- The towbar has been correctly installed by a suitably qualified installer.
- The towbar has not been modified or abused in any way and has only been used for the purpose intended.
- The towbar was not fitted second hand to your vehicle.

The extent of this warranty includes materials and workmanship used in the manufacture of the towbar and is to the equivalent value of current, full replacement cost.

Nothing stated or implied in this warranty limits in any way, the statutory rights that you may have.

To make a claim visit the original installer in the first instance or, if you are unable to or are not satisfied with their help, then contact us directly by email at [warranty@tagtowing.com](mailto:warranty@tagtowing.com)