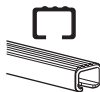
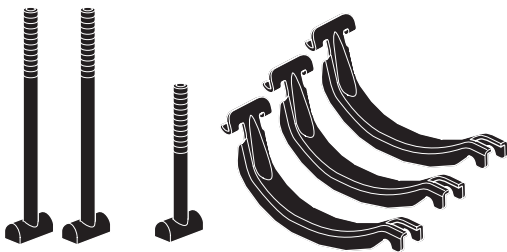
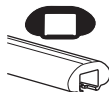


> Instructions

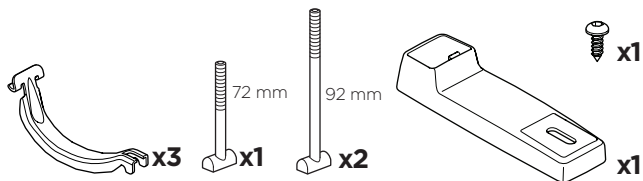
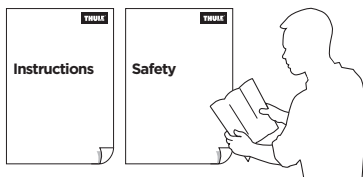
Thule Bike Rack Around-the-bar Adapter 8898



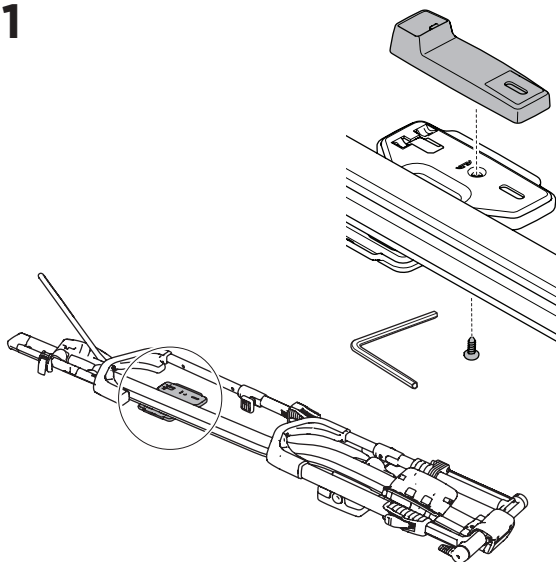
Square bars



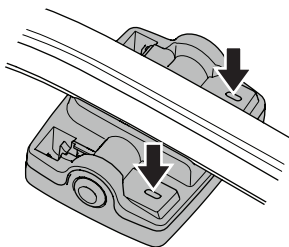
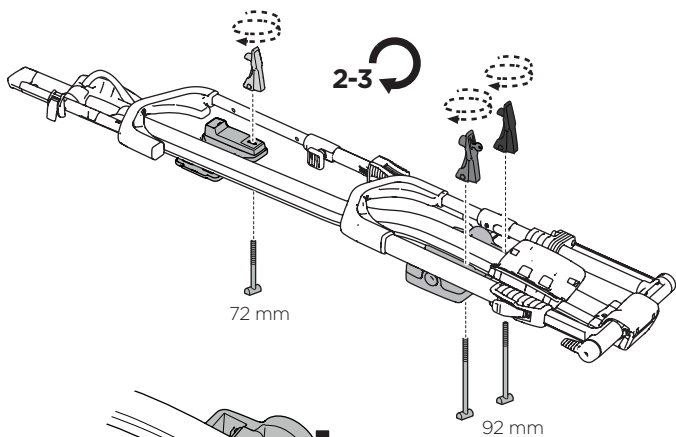
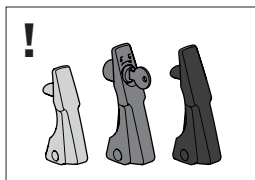
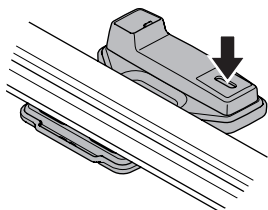
Aluminum bars



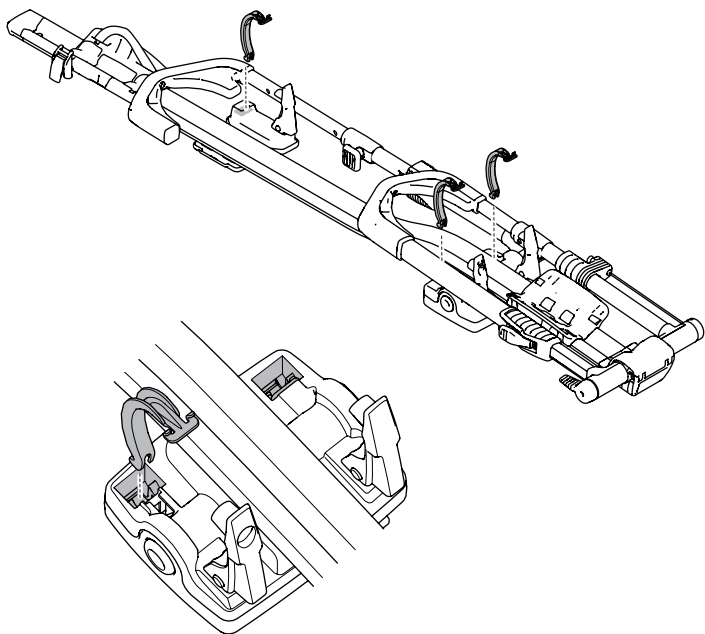
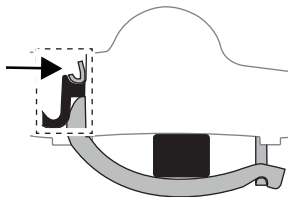
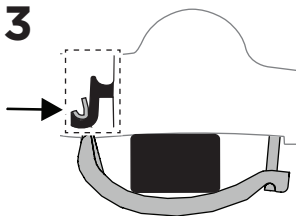
1



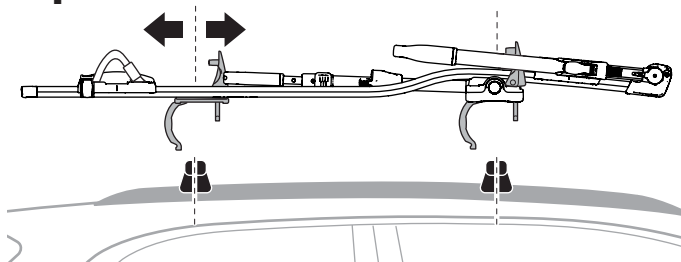
2



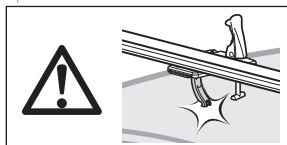
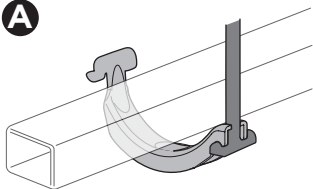
3



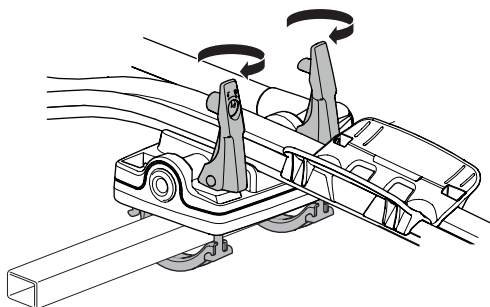
4



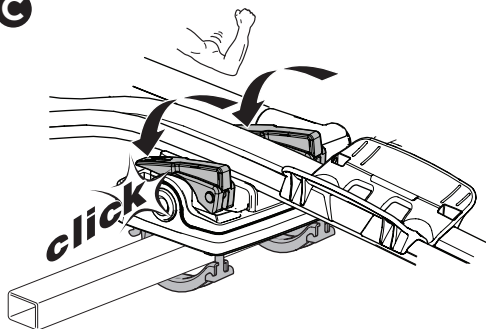
A



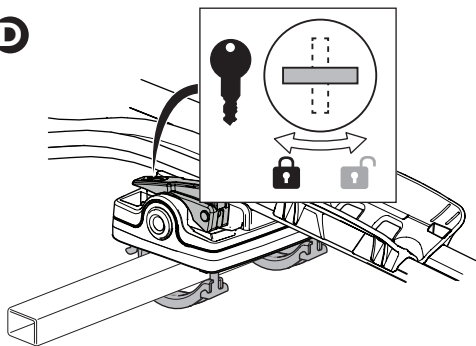
B

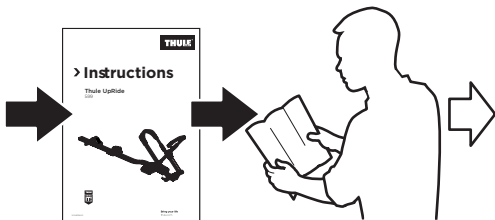


C



D







www.thule.com



info@thule.com



Thule Sweden AB, Borggatan 5
335 73 Hillerstorp, SWEDEN

501-8315-01

» PART OF THULE GROUP

© Thule Group 2017. All rights reserved.